

SPO 70 cm Series 5 dBi

Sirio Professional Omni

UHF Base Station Antennas 350-470 MHz

DESCRIPTION: New series of **wide band** omnidirectional base station antennas for UHF band suitable for marine service too. The fiberglass protection radome and the anodized aluminium parts guarantee robustness and long life to all the SPO-antennas series. They are supplied with two strong extruded aluminium brackets and stainless steel hardware for a good installation on the mast.

Electrical Data

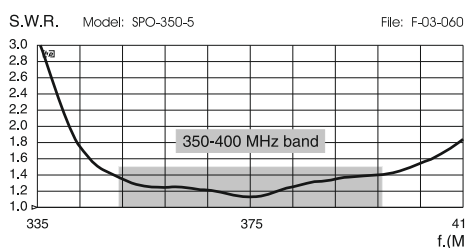
Model	SPO 350-5	SPO 380-5	SPO 420-5
Type	Colinear		
Frequency Range	350 - 400 MHz @ SWR ≤ 1.5	380 - 430 MHz @ SWR ≤ 1.5	420 - 470 MHz @ SWR ≤ 1.5
Impedance	50 Ω		
Radiation (H-plane)	360° Omnidirectional		
Radiation (E-plane)	Beamwidth @ -3dB = 40°		
Radiation angle deg.	0°		
Polarization	Linear Vertical		
Gain	3 dBd - 5.15 dBi		
Max Power	75 Watts (CW) @ 30°C ambient		
Grounding Protection	All metal parts are DC-grounded, inner conductor shows a DC short		
Connector	N-female, with rubber protection cap		

Mechanical Data

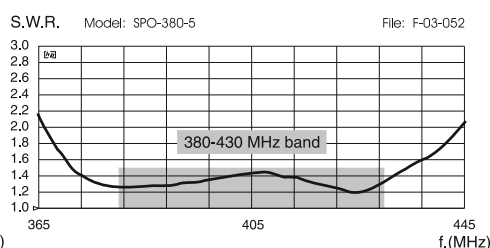
Materials	White fiberglass radome Ø 28.6 mm, anodized 6063-T5 aluminium, brass, stainless steel, copper, EPDM rubber.		
Wind Load at 150 km/h	53 N		
Wind Resistance	180 Km/h		
Wind Surface	0.044 m ²		
Operatin temperature	-40°C to + 80°C		
Height (approx.)	1380 mm		
Weight (approx.)	1240 gr	1215 gr	1200 gr
Mounting Mast	Side mast with "V" bolt, Ø 35-54 mm		



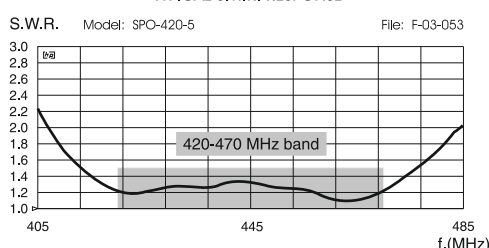
TYPICAL S.W.R. RESPONSE



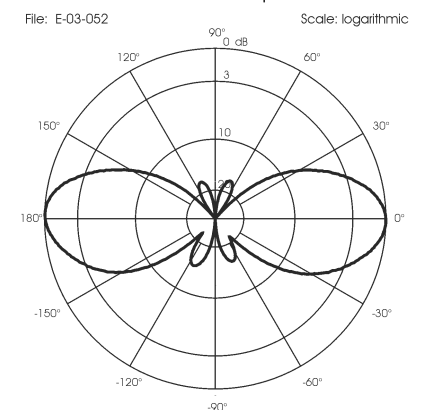
TYPICAL S.W.R. RESPONSE



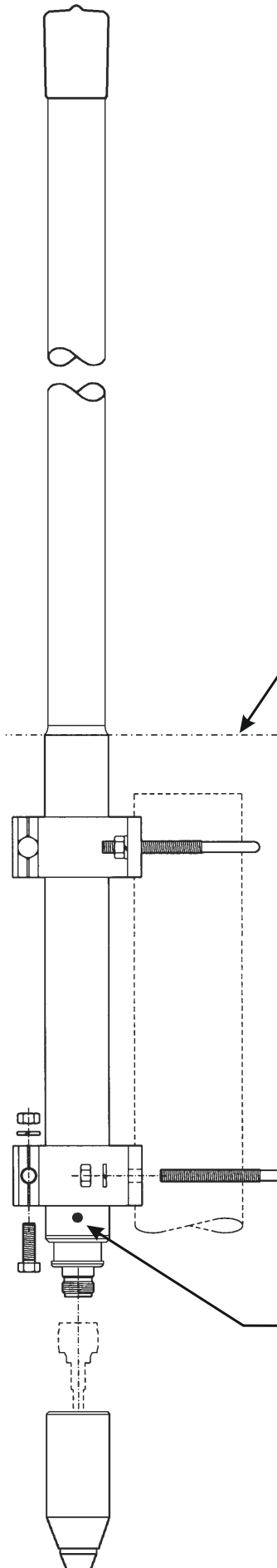
TYPICAL S.W.R. RESPONSE



TYPICAL RADIATION PATTERN in E-plane at mid-band



MOUNTING INSTRUCTIONS



ATTENTION!
The mounting mast does not have to be higher of the aluminium tube


ATTENTION!
Leave the drainage hole uncovered

Fixing bracket:



Fixing bracket part list	
Q.ty	Description
2	Extruded aluminium bracket
2	M6x188 V-bolt
2	M6x20 Exagonal head screw
6	M6 Spring lock washer
6	M6 Hexagonal nut
Materials:	extruded aluminum
Hardware:	stainless steel
Dimensions :	80 x 76 x 25 mm
Weight:	220 g
Re-order code: SA104	

Connector protection cap Re-order code: TE06416

