

BARRY FM

CE 0700 !

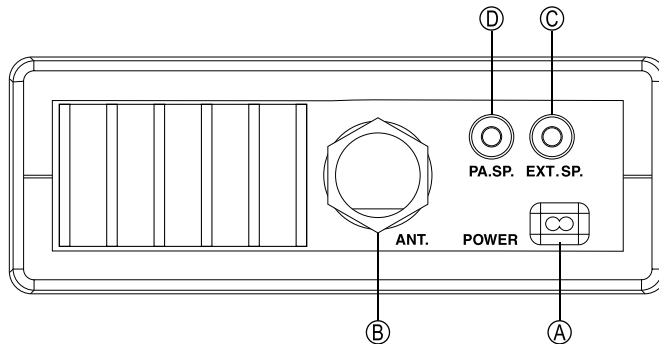
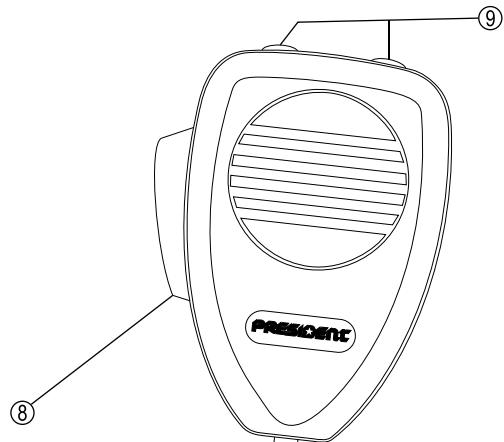
12/24 V



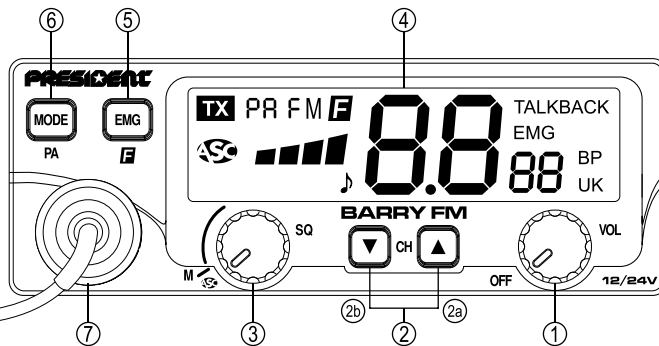
Owner's manual

PRESIDENT

Your **PRESIDENT BARRY ASC FM 12/24 V** at a glance



⑧ +
 ② TALKBAK Level
 ⑤ TALKBACK



① +
 ②a ROGER BEEP
 ②b KEY BEEP
 ⑥ TOT
 ⑤+⑥ COLOR

SUMMARY

<i>INSTALLATION</i>	5
<i>HOW TO USE YOUR CB</i>	7
<i>FUNCTIONS TURNING ON THE UNIT</i>	9
<i>FUNCTIONS WITH PTT PEDAL</i>	10
<i>TECHNICAL CHARACTERISTICS</i>	10
<i>TROUBLE SHOOTING</i>	11
<i>HOW TO TRANSMIT OR RECEIVE A MESSAGE</i>	11
<i>GLOSSARY</i>	11
<i>DECLARATION OF CONFORMITY</i>	13
<i>GENERAL WARRANTY CONDITIONS</i>	14
<i>FREQUENCY TABLES</i>	15 ~ 17
<i>NORMS - F</i>	18

WARNING !

Before using, be careful never to transmit without first having connected the antenna (connection "B" situated on the back panel of the equipment) or without having set the SWR (Standing Wave Ratio) ! Failure to do so may result in destruction of the power amplifier, which is not covered by the guarantee.

MULTI-NORMS TRANSCEIVER!

*See function "F" on page 9 and the **Configuration** table on page 18.*

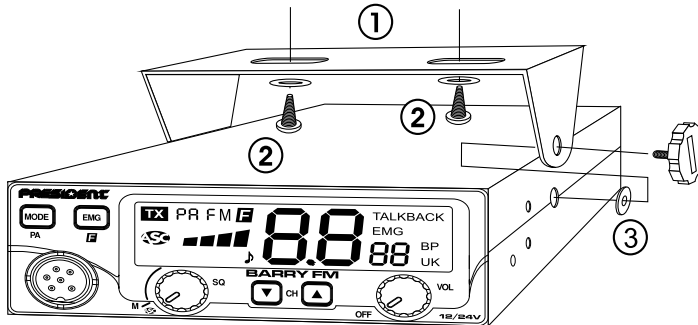
The guarantee of this transceiver is valid only in the country of purchase.

Welcome to the world of the new generation of CB radios. The new PRESIDENT range gives you access to top performance CB equipment. With the use of up-to-date technology, which guarantees unprecedented quality, your PRESIDENT ANDY ASC FM 12/24 V is a new step in personal communication and is the surest choice for the most demanding of professional CB radio users. To ensure that you make the most of all its capacities, we advise you to read carefully this manual before installing and using your PRESIDENT BARRY ASC FM 12/24 V.

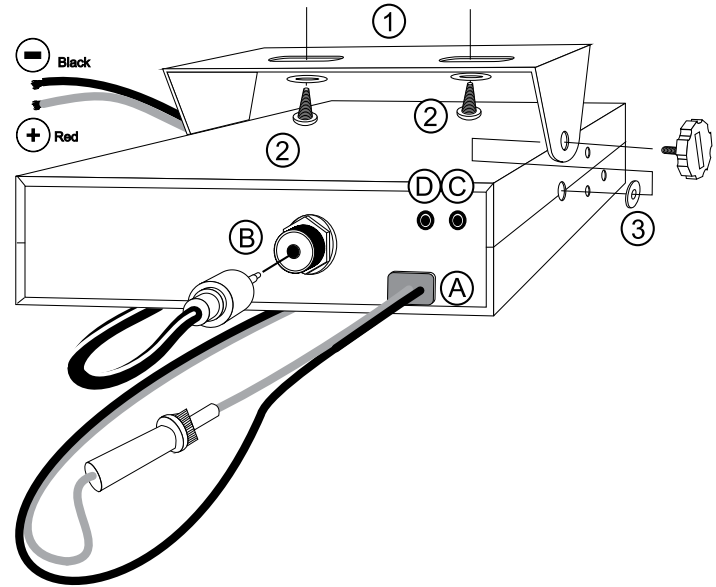
A) INSTALLATION

1) WHERE AND HOW TO MOUNT YOUR MOBILE CB RADIO

- a) You should choose the most appropriate setting from a simple and practical point of view.
- b) Your CB radio should not interfere with the driver or the passengers.
- c) Remember to provide for the passing and protection of different wires (e.g. power, antenna, accessory cabling) so that they do not in any way interfere with the driving of the vehicle.



MOUNTING DIAGRAM



- d) To install your equipment, use the cradle (1) and the self-tapping screws (2) provided (drilling diameter 3.2 mm). Take care not to damage the vehicle's electrical system while drilling the dash board.
 - e) Choose where to place the microphone support and remember that the microphone cord must stretch to the driver without interfering with the controls of the vehicle.
 - f) Choose where to place the microphone support and remember that the microphone cord must stretch to the driver without interfering with the controls of the vehicle.
- **Note:** As the transceiver has a frontal microphone socket, it can be set into the dash board. In this case, you will need to add an external loud speaker to improve the sound quality of communications (connector EXT.SP situated on the back panel: C). Ask your dealer for advice on mounting your CB radio.

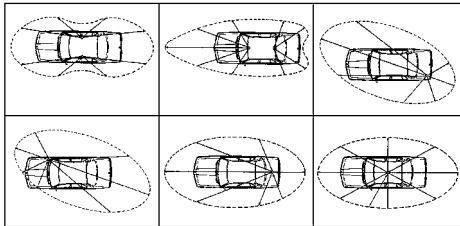
2) ANTENNA INSTALLATION

a) Choosing your antenna

- For CB radios, the longer the antenna, the better its results. Your dealer will be able to help you with your choice of antenna.

b) Mobile antenna

- Must be fixed to the vehicle where there is a maximum of metallic surface (ground plane), away from windscreen mountings.
- If you already have a radio-telephone antenna installed, the CB antenna should be higher than this.
- There are two types of antenna: pre-regulated which should be used on a good ground plane (e.g. car roof or lid of the boot), and adjustable which offer a much larger range and can be used on a smaller ground plane (see § 5 page 7, **ADJUSTMENT OF SWR**).
- For an antenna which must be fixed by drilling, you will need a good contact between the antenna and the ground plane. To obtain this, you should lightly scratch the surface where the screw and tightening star are to be placed.
- Be careful not to pinch or flatten the coaxial cable (as this runs the risk of break down and/or short-circuiting).
- Connect the antenna (B).



OUTPUT RADIUS PATTERN

c) Fixed antenna

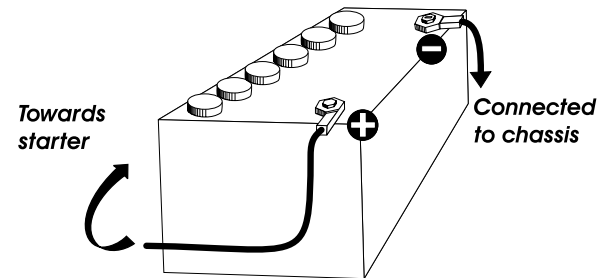
- A fixed antenna should be installed in a clear space as possible. If it is fixed to a mast, it will perhaps be necessary to stay it, according to the laws in force (you should seek professional advice). All PRESIDENT antennas and accessories are designed to give maximum efficiency to each CB radio within the range.

3) POWER CONNECTION

Your PRESIDENT ANDY ASC FM 12/24 V is protected against an inversion of polarities. However, before switching it on, you are advised to check all the connections. Your equipment must be supplied with a continued current of 12 or 24 volts (A). Today, most cars and lorries are negative earth. You can check this by making sure that the negative terminal of the battery is connected either to the engine block or to the chassis. If this is not the case, you should consult your dealer.

- Check that the battery is of 12 or 24 volts.
- Locate the positive and negative terminals of the battery (+ is red and - is black). Should it be necessary to lengthen the power cable, you should use the same or a superior type of cable.
- It is necessary to connect your CB to a permanent (+) and (-). We advise you to connect the power cable directly to the battery (as the connection of the CB cable to the wiring of the car-radio or other parts of the electrical circuit may, in some cases, increase the likelihood of interference).
- Connect the red wire (+) to the positive terminal of the battery and the black (-) wire to the negative terminal of the battery.
- Connect the power cable to your CB radio.

WARNING: Never replace the original fuse by one of a different value.



4) BASIC OPERATIONS TO BE CARRIED OUT BEFORE USING YOUR SET FOR THE FIRST TIME (without transmitting and without using the «push-to-talk» switch on the microphone)

- a) Connect the microphone,
- b) Check the antenna connections,
- c) Turn the set on by turning the volume knob **VOL (1)** clockwise,
- d) Turn the squelch **SQ** knob (3) to minimum (**M** position),
- e) Adjust the volume to a comfortable level,
- f) Go to Channel 20 using either **▲/▼** keys (2) or the **UP/DN** knob (9).

5) ADJUSTMENT OF SWR (Standing wave ratio)

WARNING: This must be carried out when you use your CB radio for the first time (and whenever you re-position your antenna). The adjustment must be carried out in an obstacle-free area.

* Adjustment with external SWR-meter (e.g. TOS-1 PRESIDENT)

- a) To connect the SWR meter :
 - Connect the SWR meter between the CB radio and the antenna as close as possible to the CB (use a maximum of 40 cm cable, type President CA-2C).
- b) To adjust the SWR meter:
 - Set the CB on channel 20.
 - Put the switch on the SWR-meter to position FWD (calibration).
 - Press the «push-to-talk» switch on the microphone to transmit.
 - Bring the index needle to ▼ by using the calibration key.
 - Change the switch to position REF (reading of the SWR level). The reading on the Meter should be as near as possible to 1. If this is not the case, re-adjust your antenna to obtain a reading as close as possible to 1. (An SWR reading between 1 and 1.8 is acceptable).
 - It will be necessary to re-calibrate the SWR meter after each adjustment of the antenna.

WARNING: In order to avoid any losses and attenuations in cables used for connection between the radio and its accessories, PRESIDENT recommends to use a cable with a length inferior to 3m.

Your CB is now ready for use.

B) HOW TO USE YOUR CB

1) ON/OFF - VOLUME

- a) To turn the set on, turn the **VOL** knob (1) clockwise. If the **KEY BEEP** function is activated, 4 tones sound when you turn the CB radio on.
See FUNCTIONS TURNING ON THE UNIT on page 9
- b) To increase the sound level, turn the same knob further clockwise.

2) CHANNEL SELECTOR: ▲/▼ keys on unit

These keys allow increasing or decreasing a channel. A «beep» sounds each time the channel changes if the **KEY BEEP** function is activated. *See KEY BEEP function page 9.*

See also § 9 page 8.

3) ASC (Automatic Squelch Control) / SQUELCH

Suppresses undesirable background noises when there is no communication. Squelch does not affect neither sound nor transmission power, but allows a considerable improvement in listening comfort.

a) ASC: AUTOMATIC SQUELCH CONTROL

Worldwide patent, a PRESIDENT exclusivity.

Turn the **SQ** knob (3) anti-clockwise into **ASC** position. **ASC** appears on the display. No repetitive manual adjustment and a permanent improvement between the sensitivity and the listening comfort when ASC is active. This function can be disconnected by turning the switch clockwise. In this case the squelch adjustment becomes manual again. **ASC** disappears from the display.

b) MANUAL SQUELCH

Turn the **SQ** knob (3) clockwise to the exact point where all background noises disappear. This adjustment should be done with precision as, if set to maximum (fully clockwise), only the strongest signals will be received.

4) DISPLAY

It shows all functions:



The BARGRAPH shows the reception level and the output power level.

5) EMG ~ EMG SETTING

EMG (short press)

Emergency channel is automatically selected when you press **EMG** Key (5). “**EMG**” is displayed.

The default emergency channel is channel **19** and the mode (FM) is set according the frequency range in use (see table page 18).

New short press in **EMG** key (5) to go back to the current channel. “**EMG**” disappears.

EMG SETTING (long press)

Emergency channel can be set to any channel

To set a new emergency channel:

- Short press on **EMG** key (5) to call the current emergency channel. “**EMG**” appears on the display.
- Long press on **EMG** key (5). **F** appears on the display and “**EMG**” blinks.
- Using the **▲/▼** keys (2) or the **UP/DN** knobs (9), select the new emergency channel.
- **In U configuration only.** Press **MODE** key (6) to select the mode (**ENG** or **CEPT**) used with new emergency channel.
- Short press on **EMG** key (5) to validate and store the new emergency channel. A validation beep sounds.

Note: Emergency setting is not allowed if the current emergency channel is not the active channel.

6) MODE ~ PA

MODE (short press)

In U configuration ONLY: press **MODE** key (6) to alternate the frequency band between **ENG** and **CEPT**. “**UK**” appears in the display when the **ENG** band is selected. “**UK**” disappears from the display when **CEPT** is selected (see table at page 15).

PA (long press)

- Long press on **PA** key (6) to activated or deactivated the **PA** (Public Address) mode. An external loud speaker can be connected to your BARRY ASC FM by the **PA jack** plug situated on the back panel PA.SP (D). The CB message received or transmitted into the microphone will be directed towards the external speaker and be amplified. Adjust the **PA** volume with **VOL** key (1).
When **PA** mode is activated, “**PA**” and the used mode (**FM** or **FM UK**) blink alternatively. When **PTT** pedal (8) is pressed, “**PA**” replace the active channel on the display. Release the **PTT** pedal (8) to display again the active channel.

7) 6 PIN MICROPHONE PLUG

The plug is located on the front panel of the transceiver and makes the setting of the equipment into the dashboard easier.

See cabling diagram page 13.

8) PTT (Push To Talk)

Transmission key, press to transmit a message, **TX** is displayed and release to listen to an incoming communication.

See **FUNCTIONS WITH PTT PEDAL** on page 10.

9) CHANNEL SELECTOR: UP/DN knobs on the microphone

These keys allow increasing or decreasing a channel. A «beep» sounds each time the channel changes if the **KEY BEEP** function is activated. See **KEY BEEP function** page 9.

See also § 2 page 7.

C) FUNCTIONS TURNING ON THE UNIT

5 more functions are available. Turn off the unit. Turn on the radio while pressing one or two keys to set the function ON. Repeat this action to set the function OFF.

1) ROGER BEEP (▼ key on the unit or UP knob on microphone)

The ROGER BEEP sounds when the PTT switch (8) of the microphone is released in order to let your correspondent speak. Historically as CB is a "simplex" communication mode, it is not possible to speak and listen at the same time (as it is the case with a telephone). Once the conversation was over, he said "Roger" in order to prevent his correspondent that it was his turn to talk. The word "Roger" has been replaced by a significant beep. That is where the name "Roger beep" comes from.

Use the following procedure to activate or deactivate the **ROGER BEEP** function:

- Turn on the power while pressing the ▲ key (2a) or UP knob (9) to enable (rb on) or disable (rb off) the **ROGER BEEP** function.
- When function is activated, "♪" appears on the display.

Note: The Roger beep also sounds in the loudspeaker if the **KEY BEEP** function is active. If the **KEY BEEP** function is not active, only the correspondent can hear the **ROGER BEEP**.

In **PA mode** the function is not allowed.

2) KEY BEEP (▼ key on the unit or DN knob on microphone)

Some operations such as changing channels, pressure on keys etc. are confirmed by a beep tone. This beep tone can be activated or deactivated as follows:

- Turn on the power while pressing the ▼ key (2b) or the DN knob (2) to enable (bP on) or disable (bP off) the **KEY BEEP** function.
- When function is activated, "BP" appears on the display.

3) F - FREQUENCY BAND SELECTION (F key)

(Configuration: EU; PL; d; EC; U; In)

The frequency bands have to be chosen according to the country

of use. Don't use any other configuration. Some countries need a user's licence.

See table page 19.

Proceeding:

- Turn on the power while pressing the **F** key (5). The letter corresponding to the current configuration is blinking.
- In order to change the configuration, use the ▲/▼ keys (2) or the UP/DN knobs (9) on the microphone or on the unit.
- When the configuration is selected, press the **F** key (5) 1 second. The letter corresponding to the configuration are continuously displayed and a confirmation tone beep sounds.
- At this point, confirm the selection by switching off the transceiver and then switching it on again.

See the configurations / frequency bands table at pages 15 to 17.

4) TOT (Time Out Timer) (MODE key)

If the transmission key is longer than 5 minutes, CHANNEL and activated or deactivated **TX** start blinking, the transmission ends. The time-out tone will sound until the PTT pedal (8) is released.

The **TOT** function can be activated or deactivated as follows:

- Turn on the power while pressing the **MODE** key (6) to enable (t on) or disable (t off) the **TOT** function.

5) COLOR (EMG + MODE keys)

Use the following to alternate between the 3 colors:

→ Orange → Green → Blue →

- Turn on the power while pressing the **EMG** (5) and **MODE** (6) keys. Current color blinks, Or (orange), Gr (green) or bL (bleu).
- Use the ▲/▼ keys (2) or UP/DN keys (9) to change the color.
- When the color is set, long press the **F** key (5). Beep sounds, the characters of the color are displayed during 1 second.

D) FUNCTIONS WITH PTT PEDAL

2 more functions are available. To activate the function press and hold the **PTT** pedal (8) and press the function key. Repeat this process to deactivate the function.

1) TALKBACK (PTT + F)

The **TALKBACK** function can be activated or deactivated as follows:

- a) Press and hold the **PTT** switch (8)
- b) Short press on **F** key (5). Current **TALKBACK** level blinks 3 times allowing you to adjust this level.
When function is activated, “**TALKBACK**” appears on the display. This function allows to hear your own modulation with the CB speaker.

2) TALKBACK LEVEL (PTT + ▲/▼ on the unit)

- At step **b)** adjust the **TALKBACK** level using the ▲/▼ keys on the unit.
- When the function is **on** and “**TALKBACK**” is shown on the display, press and hold the **PTT** switch (8), then use the ▲/▼ keys on the unit. 9 levels from 0 to 9.
- **Note:** The use of the **UP/DN** knobs (2) on microphone are not allowed to adjust **TALKBACK** level.

A) DC-POWER TERMINAL (13,2 V / 26,4 V)

B) ANTENNA CONNECTOR (SO-239)

C) EXTERNAL SPEAKER JACK (8 Ω, Ø 3,5 mm)

D) PA SPEAKER JACK (8 Ω, Ø 3,5 mm)

E) TECHNICAL CHARACTERISTICS

1) GENERAL

- Channels : 40
- Modulation modes : FM
- Frequency ranges : from 26.965 MHz to 27.405 MHz
- Antenna impedance : 50 ohms
- Power supply : 13.2 V / 26.4 V
- Dimensions (in mm) : 125 (L) x 175 (H) x 45 (D)
- Weight : \approx 0.9 kg
- Accessories supplied : Electret microphone with support, mounting cradle, screws.
- Filter : ANL (Automatic Noise Limiter) built-in

2) TRANSMISSION

- Frequency allowance : +/- 200 Hz
- Carrier power : 4 W
- Transmission interference : inferior to 4 nW (- 54 dBm)
- Audio response : 300 Hz to 3 KHz
- Emitted power in the adj. channel : inferior to 20 μ W
- Microphone sensitivity : 7 mV
- Maximum drain : 1.7 A at 13.2 V / 0.85 A at 26.4 V
- Modul. signal distortion : 2 %

3) RECEPTION

- Maxi. sensitivity at 20 dB sinad : 0.35 μ V - 116 dBm
- Frequency response : 300 Hz to 3 kHz
- Adjacent chan. selectivity : 60 dB
- Maximum audio power : 2.5 W
- Squelch sensitivity : minimum 0.2 μ V - 120 dBm
maximum 1 mV - 47 dBm
- Frequency image rejection rate : 60 dB
- Intermediate frequency rejection rate : 70 dB
- Drain : 180 ~ 500 mA (13.2 V)
100 ~ 300 mA (24.6 V)

F) TROUBLE SHOOTING

1) YOUR CB RADIO WILL NOT TRANSMIT OR YOUR TRANSMISSION IS OF POOR QUALITY

- Check that the antenna is correctly connected and that the SWR is properly adjusted.
- Check that the microphone is properly plugged in.
- Check that the programmed configuration is the correct one (see table page 18).

2) YOUR CB RADIO WILL NOT RECEIVE OR RECEPTION IS POOR

- Check that the squelch level is properly adjusted.
- Check that the programmed configuration is the correct one (see table page 18).
- Check that the volume is set to a comfortable listening level.
- Check that the microphone is properly plugged in.
- Check that the antenna is correctly connected and that the SWR is properly adjusted.
- You are using the same modulation mode than your correspondent.

3) YOUR CB WILL NOT LIGHT UP

- Check the power supply.
- Check the connection wiring.
- Check the fuse.

G) HOW TO TRANSMIT OR RECEIVE A MESSAGE

Now that you have read the manual, make sure that your CB Radio is ready for use (i.e. check that your antenna is connected).

Choose your channel (19, 27).

Press the «push-to-talk» switch (8) and announce your message «Attention stations, transmission testing» which will allow you to check the clearness and the power of your signal. Release the switch and wait for a reply. You should receive a reply like, «Strong and clear». If you use a calling channel (19, 27) and you have established communication with someone, it is common practice to choose another available channel so as not to block the calling channel.

H) GLOSSARY

Below you will find some of the most frequently used CB radio expressions. Remember this is meant for fun and that you are by no means obliged to use them. In an emergency, you should be as clear as possible.

INTERNATIONAL PHONETIC ALPHABET

A Alpha	H Hotel	O Oscar	V Victor
B Bravo	I India	P Papa	W Whiskey
C Charlie	J Juliett	Q Quebec	X X-ray
D Delta	K Kilo	R Romeo	Y Yankee
E Echo	L Lima	S Sierra	Z Zulu
F Foxtrott	M Mike	T Tango	
G Golf	N November	U Uniform	

TECHNICAL VOCABULARY

AM	: Amplitude Modulation
CB	: Citizen's Band
CH	: Channel
CW	: Continuous Wave
DX	: Long Distance Liaison
DW	: Dual Watch
FM	: Frequency Modulation
GMT	: Greenwich Meantime
HF	: High Frequency
LF	: Low Frequency
LSB	: Lower Side Band
RX	: Receiver
SSB	: Single Side Band
SWR	: Standing Wave Ratio
SWL	: Short Wave Listening
SW	: Short Wave
TX	: CB Transceiver
UHF	: Ultra High Frequency
USB	: Upper Side Band
VHF	: Very High Frequency

CB LANGUAGE

Advertising	: Flashing lights of police car	Meat wagon	: Ambulance
Back off	: Slow down	Midnight shopper	: Thief
Basement	: Channel 1	Modulation	: Conversation
Base station	: A CB set in fixed location	Negative copy	: No reply
Bear	: Policeman	Over your shoulder	: Right behind you
Bear bite	: Speeding fine	Part your hair	: Behave yourself - police ahead
Bear cage	: Police station	Pull your hammer back	: Slow down
Big slab	: Motorway	Rat race	: Congested traffic
Big 10-4	: Absolutely	Rubberbander	: New CBer
Bleeding	: Signal from an adjacent channel interfering with the transmission	Sail boat fuel	: Wind
Blocking the channel	: Pressing the PTT switch without talking	Smokey dozing	: Parked police car
Blue boys	: Police	Smokey with a camera	: Police radar
Break	: Used to ask permission to join a conversation	Spaghetti bowl	: Interchange
Breaker	: A CBer wishing to join a channel	Stinger	: Antenna
Clean and green	: Clear of police	Turkey	: Dumb CBer
Cleaner channel	: Channel with less interference	Up one	: Go up one channel
Coming in loud and proud	: Good reception	Wall to wall	: All over/everywhere
Doughnut	: Tyre	What am I putting to you?	: Please give me an S-meter reading
Down and gone	: Turning CB off		
Down one	: Go to a lower channel		
Do you copy?	: Understand?		
DX	: Long distance		
Eighty eights	: Love and kisses		
Eye ball	: CBers meeting together		
Good buddy	: Fellow CBer		
Hammer	: Accelerator		
Handle	: CBer's nickname		
Harvey wall banger	: Dangerous driver		
How am I hitting you?	: How are you receiving me?		
Keying the mike	: Pressing the PTT switch without talking		
Kojac with a kodak	: Police radar		
Land line	: Telephone		
Lunch box	: CB set		
Man with a gun	: Police radar		
Mayday	: SOS		

DECLARATION OF CONFORMITY

We, *GRUPE PRESIDENT ELECTRONICS, Route de Sète, BP 100 - 34540 Balaruc - FRANCE*, declare, on our own responsibility that the CB radio-communication transceiver,

Brand: **PRESIDENT**
Model: **BARRY ASC FM 12/24 V**
Made in **PRC**

is in conformity with the essential requirements of the Directive 1999/5/CE (Article 3) adapted to the national law, as well as with the following European Standards:

EN 60950-1:2006+A11:2009+A1:2010+A12:2011+A2:2013
EN 300 433-1 V1.3.1 (2011-07)
EN 300 433-2 V1.3.1 (2011-07)
EN 301 489-1 V1.9.2 (2011-09)
EN 301 489-13 V1.2.1 (2002-08)

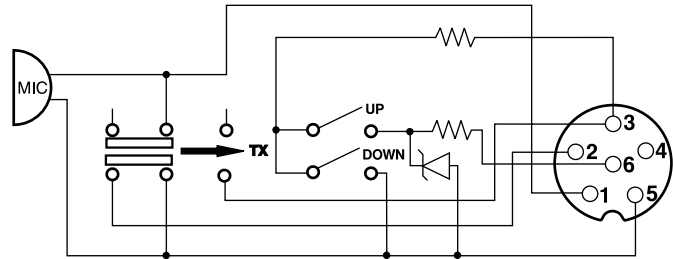
and is in conformity with Directive RoHS2: 2011/65/EU (2011/06/08).

Balaruc, the 05/12/2016



Jean-Gilbert MULLER
General Manager

6-PIN MICROPHONE PLUG



- | | |
|---|--------------|
| 1 | Modulation |
| 2 | RX |
| 3 | TX - UP/DOWN |
| 4 | - |
| 5 | Ground |
| 6 | Power supply |

GENERAL WARRANTY CONDITIONS

This device is guaranteed **2 years** parts and labour in its country of purchase against any manufacturing defects validated by our technical department. *The After-sales Service of PRESIDENT reserves the right not to apply the warranty if a breakdown is caused by an antenna other than those distributed by PRESIDENT, and if said antenna is at the origin of the breakdown. An extension of **3 years** warranty is proposed systematically for the purchase and use of a PRESIDENT antenna, bringing the total duration of the warranty to **5 years**. In order to be valid, the warranty certificate must be returned within a period of 30 days after the purchase date to the After-sales Service of the company Groupe President Electronics, or any foreign subsidiary.

It is recommended to carefully read the following conditions and to respect them under penalty of losing their benefit.

- To be valid the warranty certificate must be returned to us at the latest 1 month after the purchase.
- Please duly complete the warranty certificate on the right hand side of the page, detach it (portion to be removed marked by dotted line) and send it back.
- Any repair under warranty will be free and the return delivery costs will be borne by our company.
- A purchase proof must be necessarily included with the device to be repaired.
- The dates listed on the warranty certificate and proof of purchase must match.
- Do not proceed with the installation of the device without reading the user manual.
- No spare part will be sent nor exchanged by our services under warranty.

The warranty is only valid in the country of purchase.

Exclusions (are not covered):

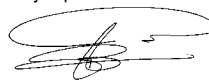
- Damages caused by accident, shock or inadequate packaging.
- Power transistors, microphones, lights, fuses and the non respect of the installation and use of specifications (including but not limited to antenna used with too high power, final output power transistors (SWR), inversion of polarities, bad connections, overvoltage,...)
- The warranty cannot be extended due to the non-availability of the device while it is being serviced at our technical services location, nor by a change of one or more components or spare parts.
- Transceivers which have been modified. The warranty application is excluded in case of modification or poor maintenance done by a third party not approved by our company.

If you note malfunctions:

- Check the power supply of your device and the quality of the fuse.

- Check that the antenna, the microphone are correctly connected.
- Check that the squelch level is properly adjusted; the programmed configuration is the correct one...
- In case the device is not under warranty, the repair and return of the device will be charged.
- All related documents must be preserved even after the end of the warranty period and if you resell your device, given to the new owner for the After-sales follow-up.
- In case of real malfunction, please contact your dealer first; they will decide action to be taken.
- In case of an intervention not covered by the warranty, an estimate will be established before any repair.

Thank you for your trust in the PRESIDENT quality and experience. We recommend that you read this manual carefully so that you are completely satisfied with your purchase. Do not forget to return the detachable warranty certificate on the right hand side of this page; it is very important for the identification of your device during a possible rendering of our services.



Technical Manager
and
Quality Manager



Date of the purchase:

Type: CB Radio BARRY ASC FM 12/24 V

Serial Number:.....



NOT COVERED BY THE WARRANTY WITHOUT THE DEALER STAMP



FREQUENCY TABLE for EU / EC / U (CEPT)

Channel	Frequency	Channel	Frequency
1	26,965 MHz	21	27,215 MHz
2	26,975 MHz	22	27,225 MHz
3	26,985 MHz	23	27,255 MHz
4	27,005 MHz	24	27,235 MHz
5	27,015 MHz	25	27,245 MHz
6	27,025 MHz	26	27,265 MHz
7	27,035 MHz	27	27,275 MHz
8	27,055 MHz	28	27,285 MHz
9	27,065 MHz	29	27,295 MHz
10	27,075 MHz	30	27,305 MHz
11	27,085 MHz	31	27,315 MHz
12	27,105 MHz	32	27,325 MHz
13	27,115 MHz	33	27,335 MHz
14	27,125 MHz	34	27,345 MHz
15	27,135 MHz	35	27,355 MHz
16	27,155 MHz	36	27,365 MHz
17	27,165 MHz	37	27,375 MHz
18	27,175 MHz	38	27,385 MHz
19	27,185 MHz	39	27,395 MHz
20	27,205 MHz	40	27,405 MHz

FREQUENCY TABLE for U (ENG)

Channel	Frequency	Channel	Frequency
1	27,60125 MHz	21	27,80125 MHz
2	27,61125 MHz	22	27,81125 MHz
3	27,62125 MHz	23	27,82125 MHz
4	27,63125 MHz	24	27,83125 MHz
5	27,64125 MHz	25	27,84125 MHz
6	27,65125 MHz	26	27,85125 MHz
7	27,66125 MHz	27	27,86125 MHz
8	27,67125 MHz	28	27,87125 MHz
9	27,68125 MHz	29	27,88125 MHz
10	27,69125 MHz	30	27,89125 MHz
11	27,70125 MHz	31	27,90125 MHz
12	27,71125 MHz	32	27,91125 MHz
13	27,72125 MHz	33	27,92125 MHz
14	27,73125 MHz	34	27,93125 MHz
15	27,74125 MHz	35	27,94125 MHz
16	27,75125 MHz	36	27,95125 MHz
17	27,76125 MHz	37	27,96125 MHz
18	27,77125 MHz	38	27,97125 MHz
19	27,78125 MHz	39	27,98125 MHz
20	27,79125 MHz	40	27,99125 MHz

FREQUENCY TABLE for d

Channel	Frequency	Channel	Frequency
1	26,965 MHz	21	27,215 MHz
2	26,975 MHz	22	27,225 MHz
3	26,985 MHz	23	27,255 MHz
4	27,005 MHz	24	27,235 MHz
5	27,015 MHz	25	27,245 MHz
6	27,025 MHz	26	27,265 MHz
7	27,035 MHz	27	27,275 MHz
8	27,055 MHz	28	27,285 MHz
9	27,065 MHz	29	27,295 MHz
10	27,075 MHz	30	27,305 MHz
11	27,085 MHz	31	27,315 MHz
12	27,105 MHz	32	27,325 MHz
13	27,115 MHz	33	27,335 MHz
14	27,125 MHz	34	27,345 MHz
15	27,135 MHz	35	27,355 MHz
16	27,155 MHz	36	27,365 MHz
17	27,165 MHz	37	27,375 MHz
18	27,175 MHz	38	27,385 MHz
19	27,185 MHz	39	27,395 MHz
20	27,205 MHz	40	27,405 MHz

Channel	Frequency	Channel	Frequency
41	26,565 MHz	61	26,765 MHz
42	26,575 MHz	62	26,775 MHz
43	26,585 MHz	63	26,785 MHz
44	26,595 MHz	64	26,795 MHz
45	26,605 MHz	65	26,805 MHz
46	26,615 MHz	66	26,815 MHz
47	26,625 MHz	67	26,825 MHz
48	26,635 MHz	68	26,835 MHz
49	26,645 MHz	69	26,845 MHz
50	26,655 MHz	70	26,855 MHz
51	26,665 MHz	71	26,865 MHz
52	26,675 MHz	72	26,875 MHz
53	26,685 MHz	73	26,885 MHz
54	26,695 MHz	74	26,895 MHz
55	26,705 MHz	75	26,905 MHz
56	26,715 MHz	76	26,915 MHz
57	26,725 MHz	77	26,925 MHz
58	26,735 MHz	78	26,935 MHz
59	26,745 MHz	79	26,945 MHz
60	26,755 MHz	80	26,955 MHz

FREQUENCY TABLE for PL

Channel	Frequency	Channel	Frequency
1	26,960 MHz	21	27,210 MHz
2	26,970 MHz	22	27,220 MHz
3	26,980 MHz	23	27,250 MHz
4	27,000 MHz	24	27,230 MHz
5	27,010 MHz	25	27,240 MHz
6	27,020 MHz	26	27,260 MHz
7	27,030 MHz	27	27,270 MHz
8	27,050 MHz	28	27,280 MHz
9	27,060 MHz	29	27,290 MHz
10	27,070 MHz	30	27,300 MHz
11	27,080 MHz	31	27,310 MHz
12	27,100 MHz	32	27,320 MHz
13	27,110 MHz	33	27,330 MHz
14	27,120 MHz	34	27,340 MHz
15	27,130 MHz	35	27,350 MHz
16	27,150 MHz	36	27,360 MHz
17	27,160 MHz	37	27,370 MHz
18	27,170 MHz	38	27,380 MHz
19	27,180 MHz	39	27,390 MHz
20	27,200 MHz	40	27,400 MHz

FREQUENCY TABLE for In

Channel	Frequency	Channel	Frequency
1	26,965 MHz	21	27,215 MHz
2	26,975 MHz	22	27,225 MHz
3	26,985 MHz	23	27,255 MHz
4	27,005 MHz	24	27,235 MHz
5	27,015 MHz	25	27,245 MHz
6	27,025 MHz	26	27,265 MHz
7	27,035 MHz	27	27,275 MHz
8	27,055 MHz		
9	27,065 MHz		
10	27,075 MHz		
11	27,085 MHz		
12	27,105 MHz		
13	27,115 MHz		
14	27,125 MHz		
15	27,135 MHz		
16	27,155 MHz		
17	27,165 MHz		
18	27,175 MHz		
19	27,185 MHz		
20	27,205 MHz		

Nº	Code	Frequency	FM Channel	Country
1	<i>EU</i>	26.965 ~ 27.405	40 Ch (4W)	AT, BE, BG, CH, CY, DK, EE, ES, FI, FR, GR, HR, HU, IE, IS, IT, LT, LU, LV, NL, NO, PT, RO, SE, SI
2	<i>PL</i>	26.960 ~ 27.400	-5 KHz 40 Ch (4W)	PL
		26.965 ~ 27.405	-	
3	<i>d</i>	26.565 ~ 27.405	80 Ch (4W)	CZ, DE, SK
4	<i>EC</i>	26.965 ~ 27.405	40 Ch (4W)	MT
5	<i>U</i>	26.965 ~ 27.405	40 Ch (4W)	UK
		27.60125 ~ 27.99125	ENG 40 Ch (4W)	
6	<i>In</i>	26.965 ~ 27.275	27 Ch (4W)	IN

Note: In U configuration: In order to select the frequency band **ENG**, press several times **F** key (5) until “**UK**” appears in the display. In order to select the **CEPT** frequency band, press several times **F** key (5) until “**UK**” disappears from the display (see table at page 15).

The frequency band and the transmission power of your transceiver must correspond with the configuration authorized in the country where it is used.

Countries in which there are particular restrictions (Licence¹ / Register²)

	AT	BE	BG	CH	CY	CZ	DE	DK	EE	ES	FI	FR	GB	GR	HR	HU	IE	IS	IT	LT	LU	LV	MT	NL	NO	PL	PT	RO	SE	SI	SK	
Licence ¹														⚠					⚠				⚠									
Register ²																											⚠					
AM																								⚠								
BLU / SSB																								⚠								

Please see updated table on website www.president-electronics.com, page «The CB radios» then «President Radio CB and Europe».

UK

Groupe
PRESIDENT
ELECTRONICS

SIEGE SOCIAL/HEAD OFFICE - FRANCE
Route de Sète - BP 100 - 34540 BALARUC
Site Internet : <http://www.president-electronics.com>
E-mail : groupe@president-electronics.com



CE 0700 

1785/11-16 v1.01

PRESIDENT