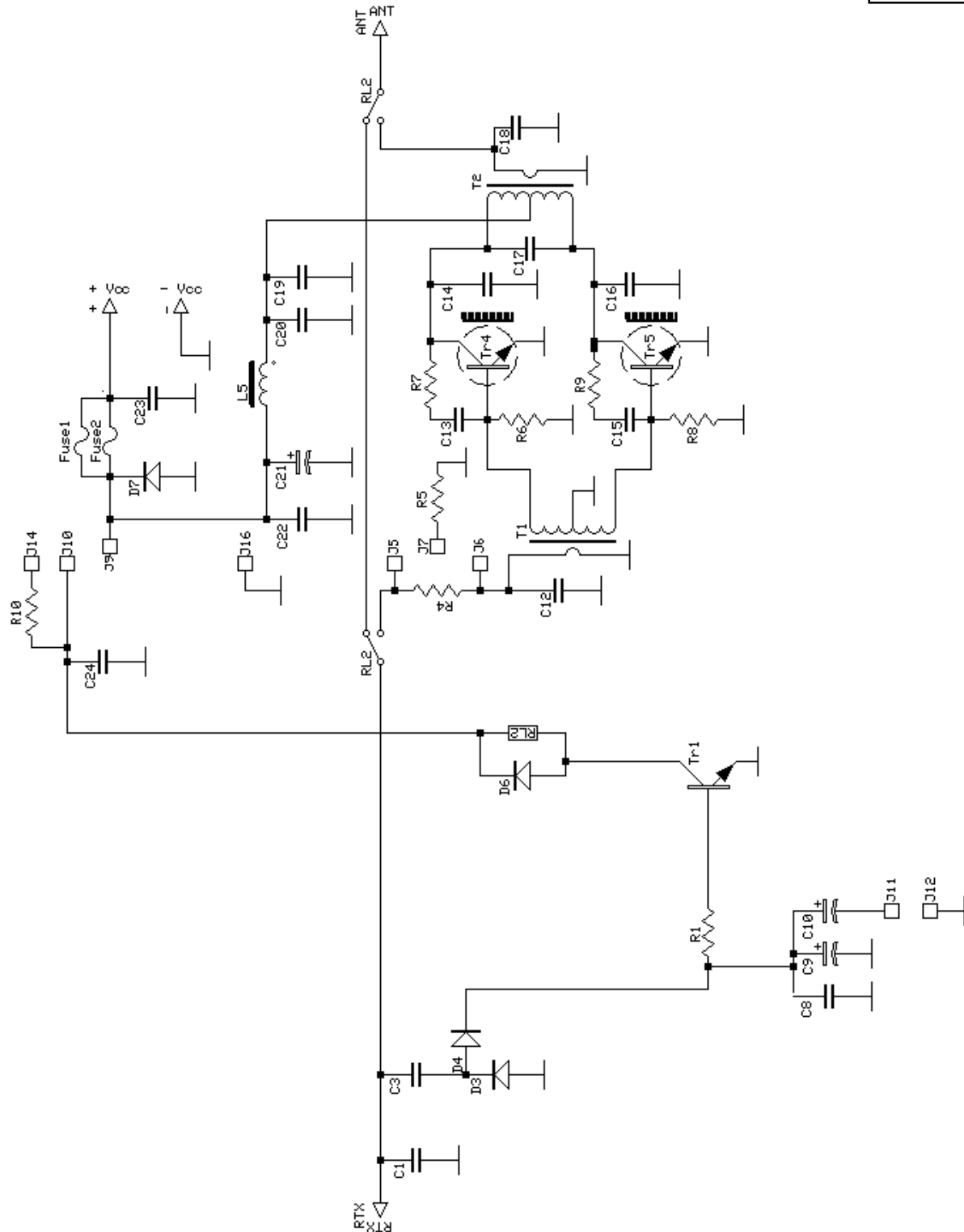
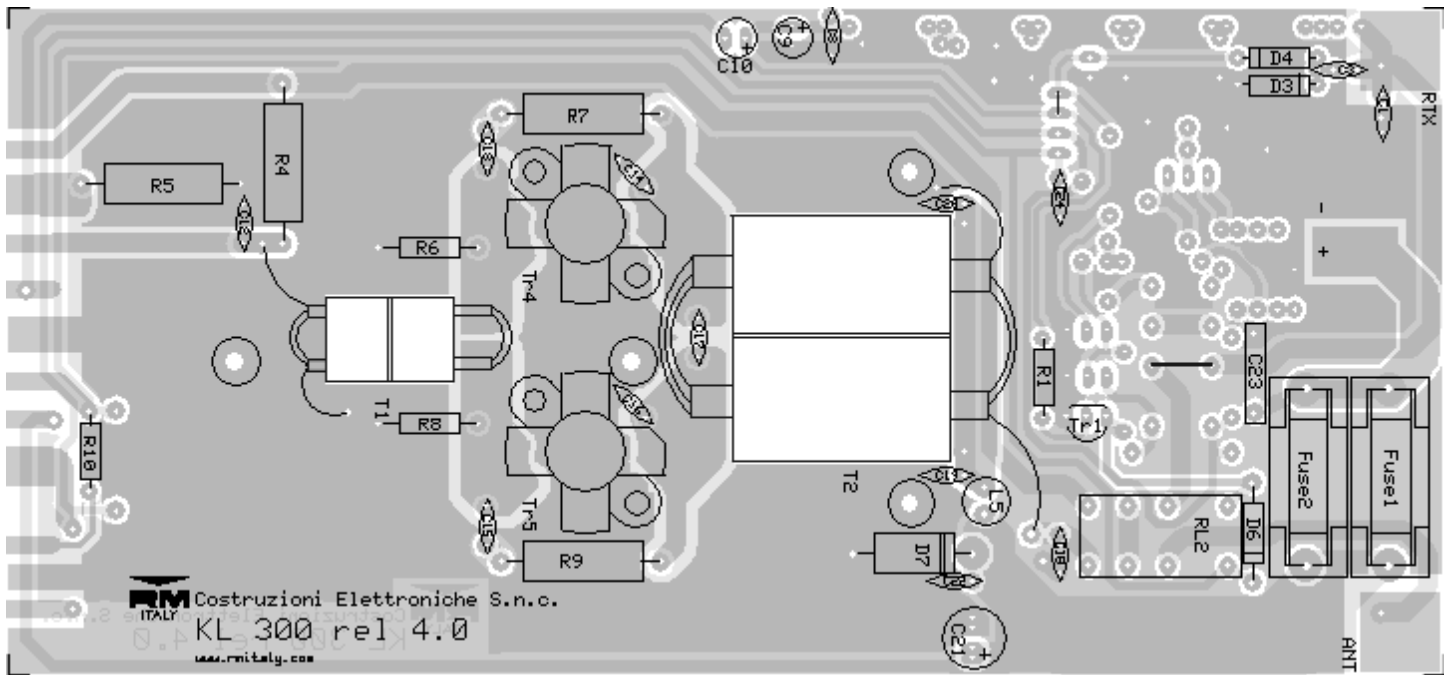


# Mod. KL 300 linear amplifier

Schematic diagram

Version 4.00





## List of components

C 1	= 33 pF	50 V	N750	
C 3	= 8,2 pF	50 V	N750	
C 8	= 10 nF	50 V		
C 9	= 4,7 $\mu$ F	16 V		
C 10	= 33 $\mu$ F	16 V		
C 12	= 150 pF	50 V	N750	
C 13	= 47 nF	50 V		
C 14	= 180 pF	500 V	N750	
C 15	= 47 nF	50 V		
C 16	= 180 pF	500 V	N750	
C 17	= 2 x 220 + 270 pF	500 V	N750	
C 18	= 47 pF	500 V	N750	
C 19	= 100 nF	50 V		
C 20	= 100 nF	50 V		
C 21	= 470 $\mu$ F	16V		
C 22	= 100 nF	50 V		
C 23	= 470 nF	63 V	Polyester	
C 24	= 100 nF	50 V		
R 1	= 2,2 K $\Omega$	1/4W		
R 4	= 27 $\Omega$	2W		
R 5	= 180 $\Omega$	2W		
R 6	= 10 $\Omega$	1/2W		
R 7	= 68 $\Omega$	2W		
R 8	= 10 $\Omega$	1/2W		
R 9	= 68 $\Omega$	2W		
R 10	= 1,0 K $\Omega$	1/4W		
D 3	= 1N4148			
D 4	= 1N4148			
D 6	= 1N4007			
D 7	= 1N5400			
Tr1	= BC 547			
Tr4	= SD 1446			
Tr5	= SD 1446			
L 5	= VK 200 2 Wires			
T 1	= Input Transformer			
T 2	= Output Transformer			
Rl2	= Relè 12 V 3022			
Fuse	= 2 x 12 A			